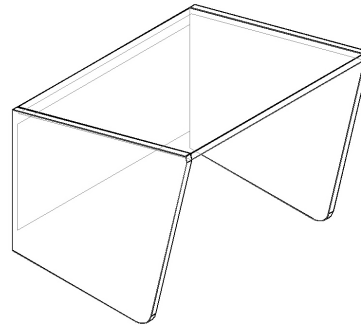
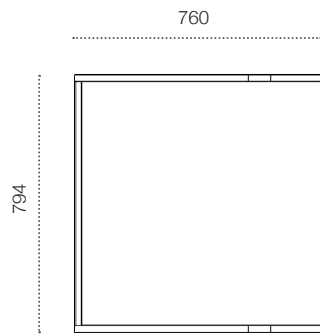
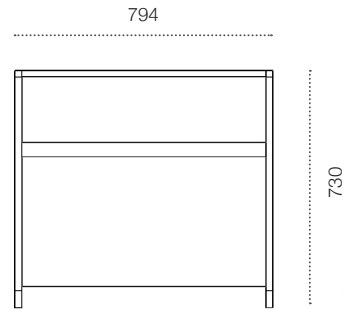
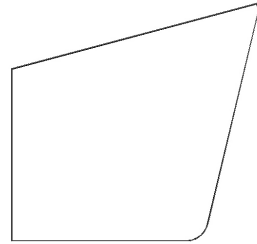


CUBICAL BOOTH

The creative Cubical Booth allows you to work in privacy and silence. Tune out the world around you.



SELECTION

- ◆ [CUB800] Cubical Booth



STANDARD FEATURES

- ◆ Acoustic panels 24 mm
- ◆ Grey (option: other colours)